

225x225x80mm

AA200-80T Series AC Square Axial Fan

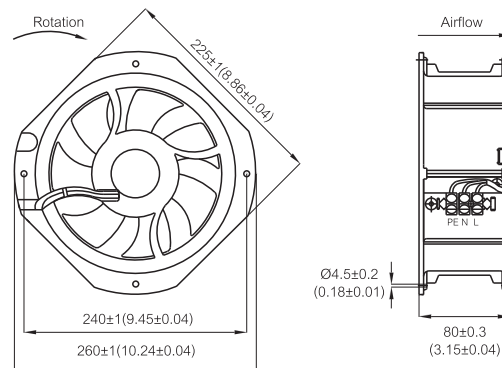


Specification:

| | |
|-------------------------|--|
| Air Flow | 500~610 CFM |
| Housing | Die-cast Aluminum |
| Blades | Sheet-Steel,Welded onto Rotor |
| Bearing | Dual Ball Bearing, Permanently Lubricated |
| Termination | Terminals |
| Operating Voltage Range | 85VAC to 125VAC for 115V Type 185VAC to 245 VAC for 230V Type |
| Insulation | Class "B" or "F" |
| Safety | Thermally Protected (Auto Restart) |
| Operating Temperature | -20°C to +70°C(Humidity 30%~85% RH) |
| Weight | 1920g |

| Item Code | Rated Voltage | Frequency (Hz) | Rated Current(A) | Input Power(W) | Speed (RPM) | Air Flow (CFM) | Air Flow (m ³ /min) | Static Pressure (inch-H ₂ O) | Noise dB(A) | Capacitor (μF) |
|-----------------------|---------------|----------------|------------------|----------------|-------------|----------------|--------------------------------|---|-------------|-----------------|
| AA1V200-80T-FMC-B7-2C | 115V | 50/60 | 0.68/0.65 | 66/74 | 2500/2800 | 535/610 | 15.15/18.12 | 0.66/0.68 | 60/63 | 6μF 200VAC |
| AA2V200-80T-FMC-B7-2C | 230V | 50/60 | 0.33/0.33 | 66/74 | 2500/2800 | 535/610 | 15.15/18.12 | 0.66/0.68 | 60/63 | 1.5μF 400VAC |
| AA1V200-80T-FMC-B7-3C | 115V | 50/60 | 0.40/0.53 | 46/60 | 2350/2450 | 500/515 | 14.16/14.58 | 0.48/0.42 | 58/59 | 6μF 200VAC |
| AA2V200-80T-FMC-B7-3C | 230V | 50/60 | 0.19/0.26 | 46/60 | 2350/2450 | 500/515 | 14.16/14.58 | 0.48/0.42 | 58/59 | 1.5μF 400VAC |

Outline Drawing: Unit:mm(Inch)



Characteristic Curves:

